

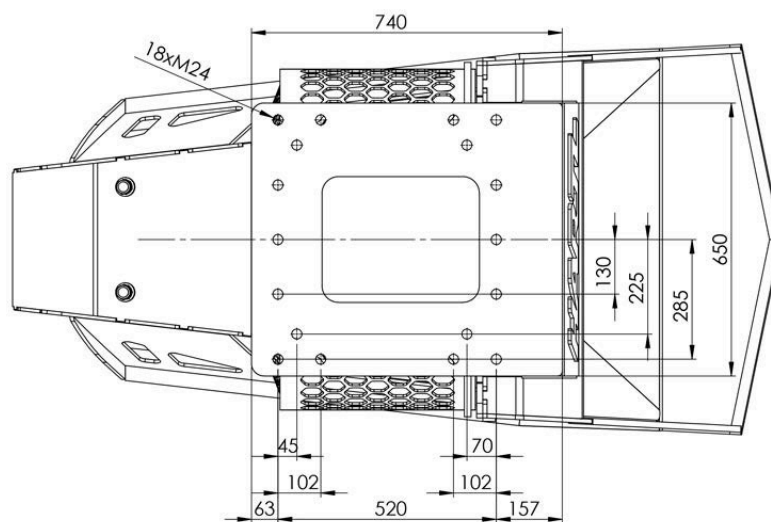
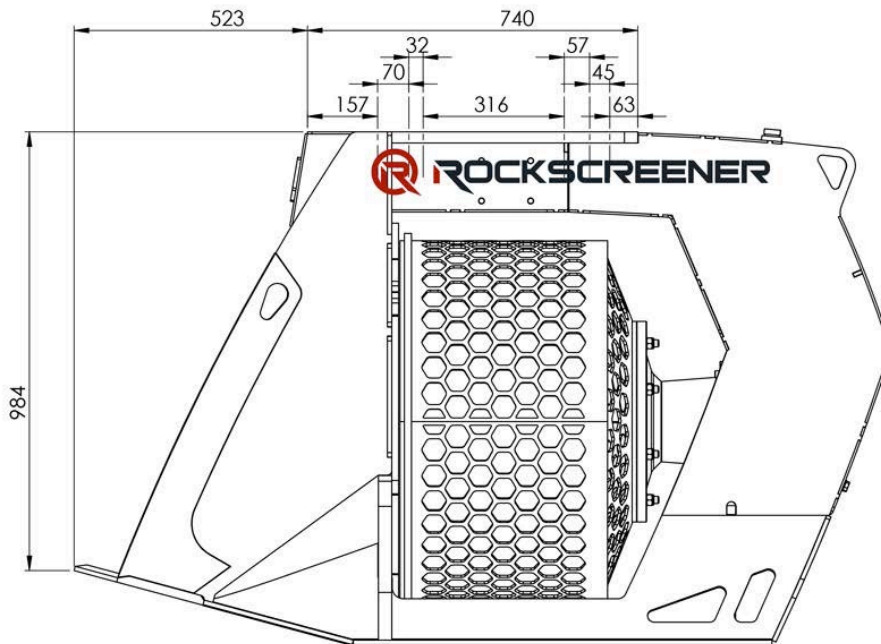
TECHNICAL SPECIFICATIONS

ROCKSCREENER 800

Oil flow rate	20 l/min
Oil pressure max	130 bar
Weight	640 kg
Excavator size	> 8 t
Screen drum diameter	800 mm
Screen drum depth	500 mm
Load volume	0,25 m ³
Total capacity	0,61 m ³
Standard mesh sets	20, 30, 40, 50, 60, 80
Feed line	3/4" 6000 psi flange
Return line	3/4" 6000 psi flange



TECHNICAL SPECIFICATIONS ROCKSCREENER 800

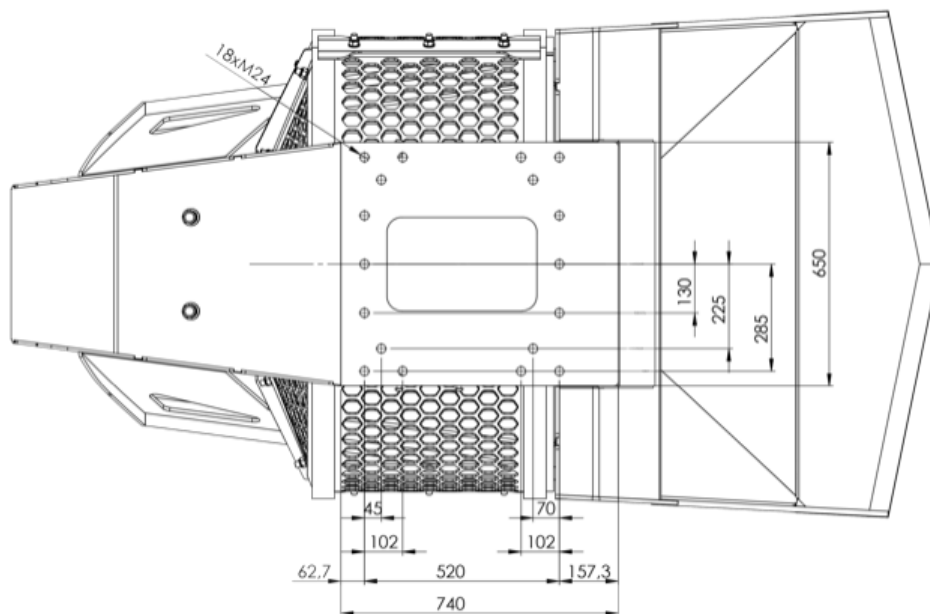
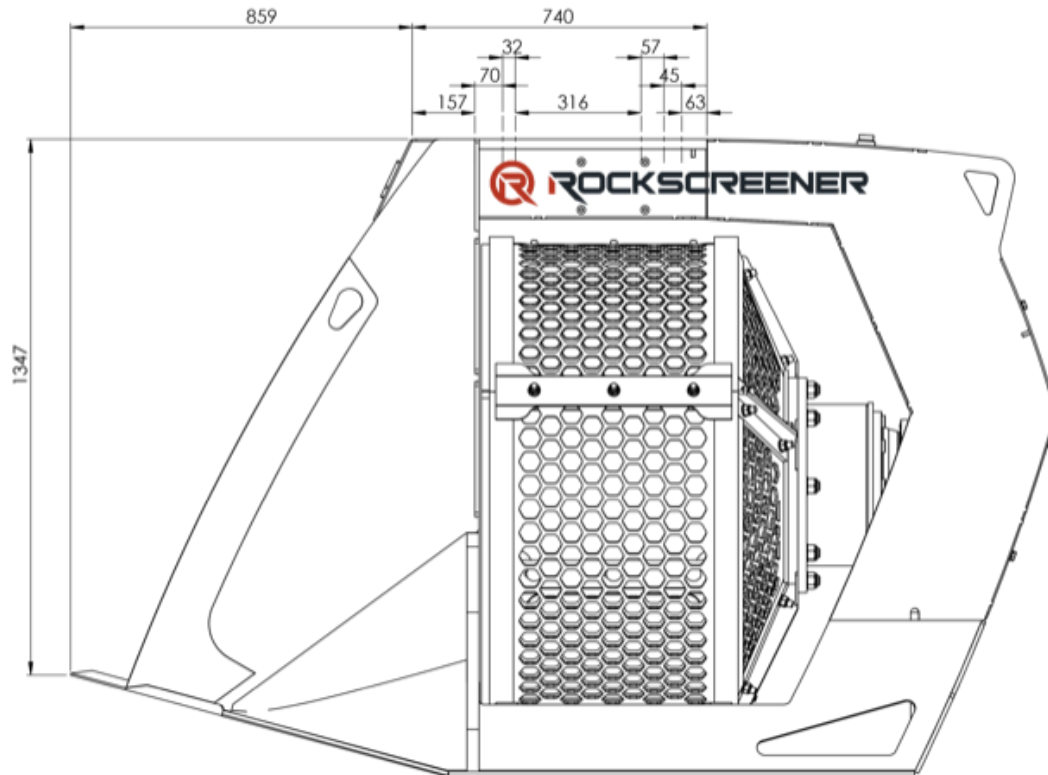


TECHNICAL SPECIFICATIONS ROCKSCREENER 1200

Oil flow rate	75 l/min
Oil pressure max	170 bar
Weight	1220 kg
Excavator size	> 13 t
Screen drum diameter	1200 mm
Screen drum depth	750 mm
Load volume	0,80 m ³
Total capacity	2,0 m ³
Standard mesh sets	20, 26, 30, 40, 50, 60, 80, 120
Feed line	3/4" 6000 psi flange
Return line	3/4" 6000 psi flange



TECHNICAL SPECIFICATIONS ROCKSCREENER 1200

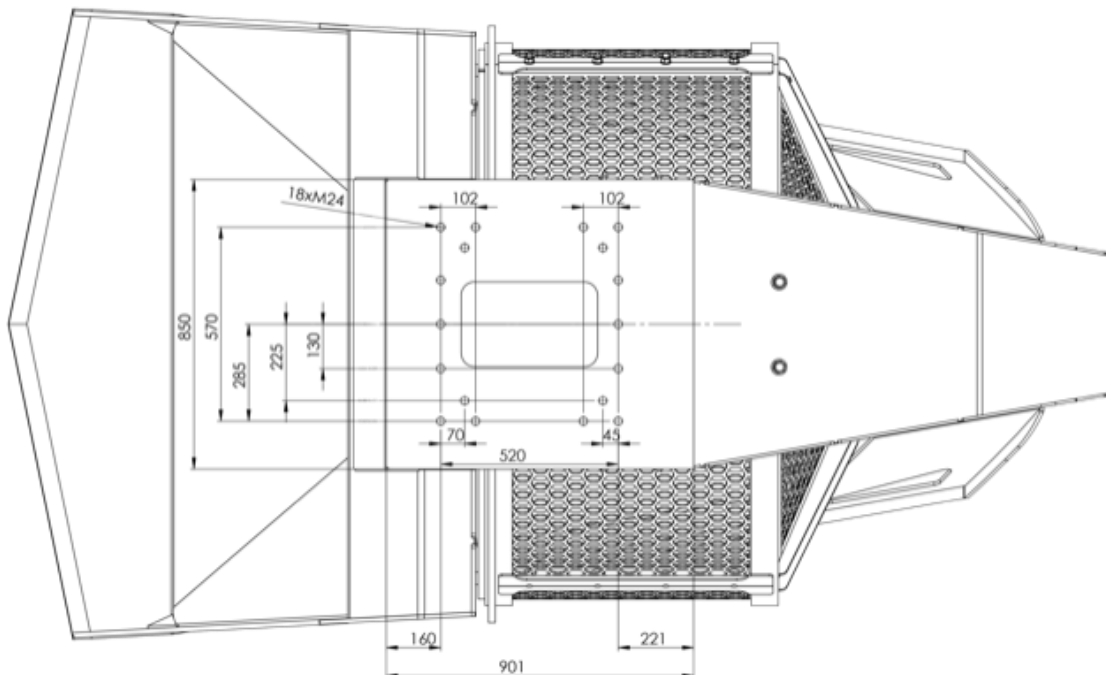
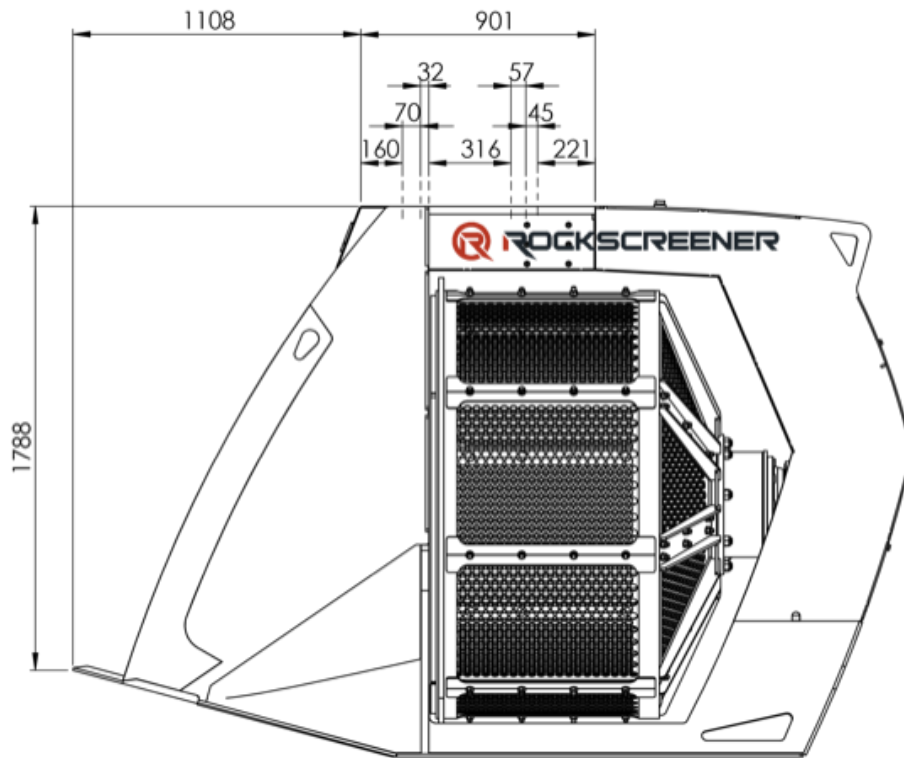


TECHNICAL SPECIFICATIONS ROCKSCREENER 1600

Oil flow rate	75 l/min
Oil pressure max	170 bar
Weight	2320 kg
Excavator size	> 22 t
Screen drum diameter	1600 mm
Screen drum depth	1100 mm
Load volume	1,90 m ³
Total capacity	3,7 m ³
Standard mesh sets	20, 26, 28, 30, 40, 50, 60, 80, 120, 150
Feed line	3/4" 6000 psi flange
Return line	3/4" 6000 psi flange
Drain line	1/2" 3000 psi flange



TECHNICAL SPECIFICATIONS ROCKSCREENER 1600

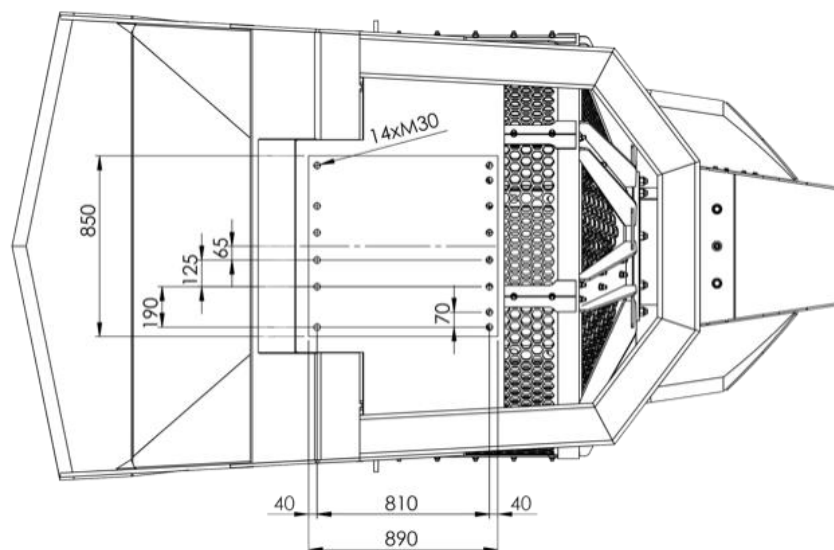
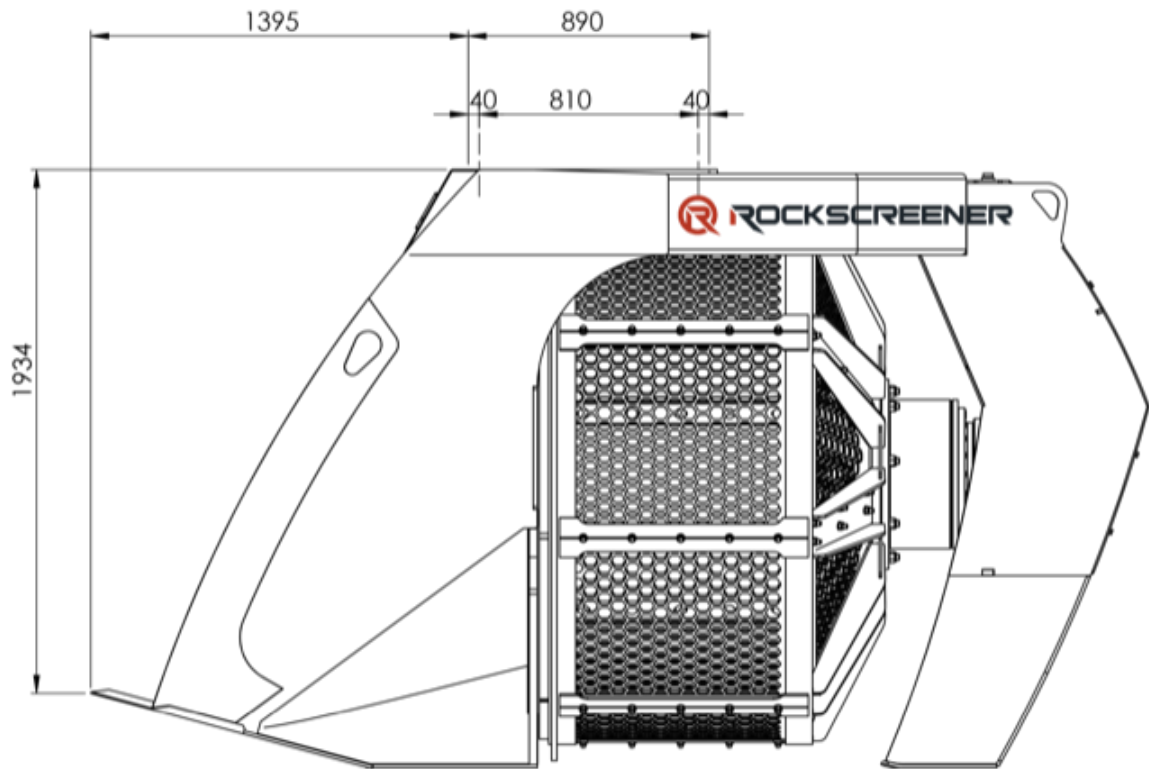


TECHNICAL SPECIFICATIONS ROCKSCREENER 2000

Oil flow rate	120 l/min
Oil pressure max	170 bar
Weight	4600 kg
Excavator size	> 35 t
Screen drum diameter	2000 mm
Screen drum depth	1100 mm
Load volume	3,40 m ³
Total capacity	5,95 m ³
Standard mesh sets	20, 30, 40, 50, 60, 80
Feed line	3/4" 6000 psi flange
Return line	3/4" 6000 psi flange
Drain line	1/2 " 3000 psi flange



TECHNICAL SPECIFICATIONS ROCKSCREENER 2000



TECHNICAL SPECIFICATIONS

ROCKSCREENER RSS 800

Oil flow rate	20 l/min
Oil pressure max	130 bar
Weight	600 kg
Excavator size	> 3 t
Screen drum diameter	800 mm
Screen drum depth	500 mm
Load volume	0,25 m ³
Total capacity	0,61 m ³
Standard mesh sets	20, 30, 40, 50, 60, 80
Feed line	3/4" 6000 psi flange
Return line	3/4" 6000 psi flange



TECHNICAL SPECIFICATIONS ROCKSCREENER RSS 800

